

Single Propane Tank Screen

This document contains illustrations (not to scale) of construction details for the construction of a screen to cover a single propane tank from view for golf course lots (required by the Greenbrier Covenants) and other lots in Greenbrier.

*Three pages of details
Four pages of illustrations*

Information for the construction of a

Single Propane Tank Screen

General Information

- 1. All materials are to be pressure treated lumber.*
- 2. All nails are to be hot dipped galvanized.*
- 3. Lattice work is to be pressure treated and provide maximum screening. (Lowe's Item 62636 or equivalent).*

Layout and post holes

- 1. Holes are to be dug as close to the existing exterior wall as possible. The overhang of the concrete foundation will determine the final position.*
- 2. Holes should not be back filled until the entire frame of the structure is completed, squared and positioned parallel to the existing exterior wall.*
- 3. In positioning the post adjacent to the existing exterior wall scrap materials should be used at the ground level to insure that the screen wall is parallel to the existing exterior wall.*

Figures

Figure One

Illustrates the front or golf course side of the screen. Each of the posts on the front section is common to the two sides.

Figure Two

Illustrates the side adjacent and parallel to the existing exterior wall. This side has the same major construction features as the other sides but does not have lattice screening. It shares a common post with the front of the screen (see Figure One for details). The right post in Figure 1 is also the right post in Figure 2.

Figure Three

Illustrates the side approximately 40 +/- inches from the existing exterior side. It shares a common post with the front of the screen (see Figure One for details). The left post in Figure 1 is also the right post in Figure 3. This side has lattice screening.

Figure Four

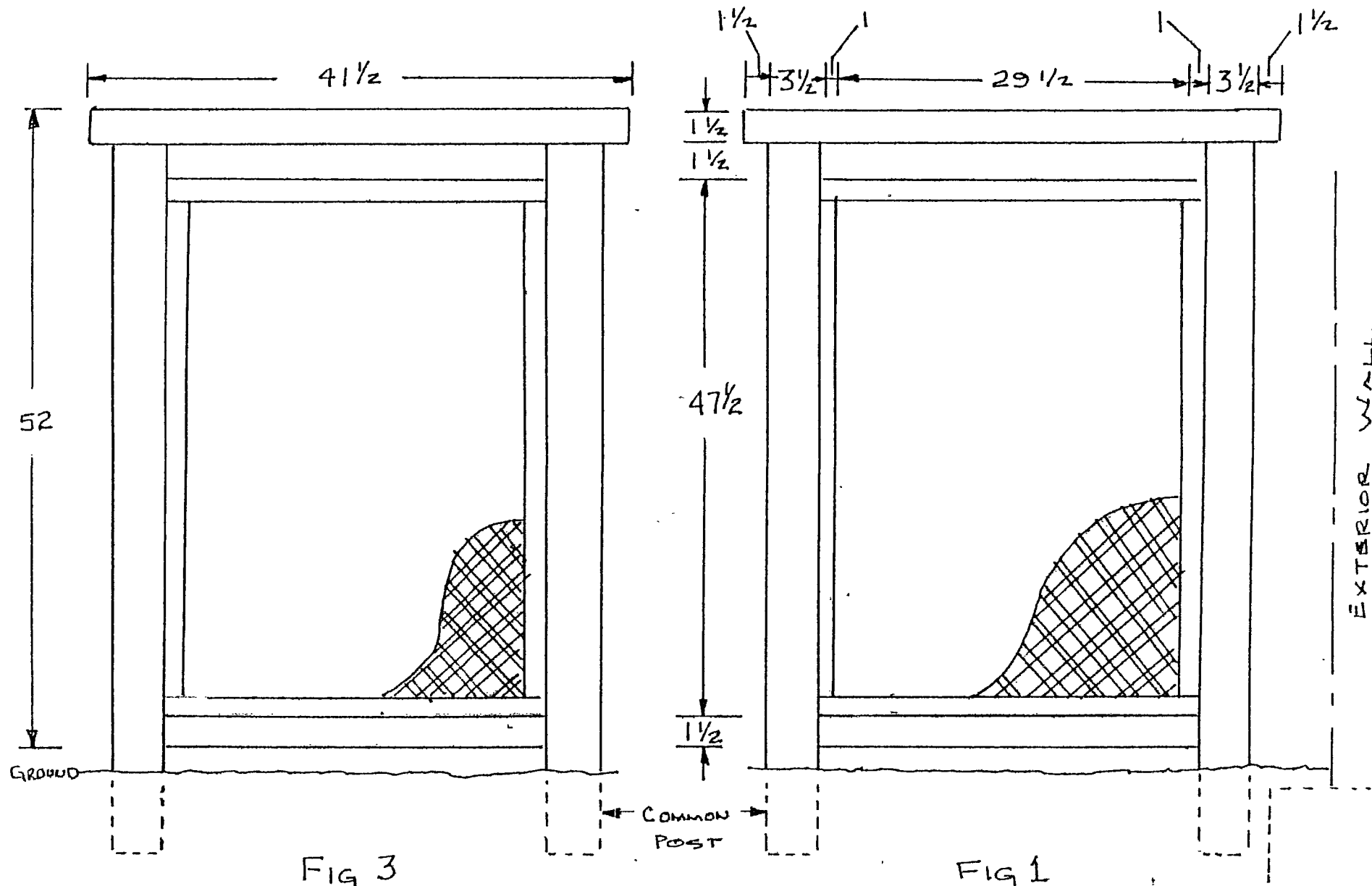
Illustrates the rear side of the screen. This unit is to be constructed such that it may be removed to allow for the removal of the propane tank. See Figure 5 for details. Holes drilled through the top removable section of the rear section and the rear post must be large enough to allow the two hot galvanized spikes to be placed in position by hand. These galvanized spikes must "slip out" to allow for removing the rear section of the screen to remove the propane tank when required.

Figure Five

Illustrates a section to show details of how the lattice is to be placed in the structure. The top plate, top support member and the two 1" x 1" lattice supports are to be nailed together as one top member and must fit on top of the post. The top member is to fit between the two posts and be held in position by two hot galvanized spikes. Spikes must fit tight enough to hold the top member in position and allow for hand removal of the spikes and the top member. This type of construction is required to allow for the removal and replacement of the propane tank.

Figure Six

Figure six illustrates how materials are positioned on the post to allow for a ½" + space for the lattice. The lattice is positioned in the center of the posts with a 1" x 1" support on each side of the lattice. There is a one-inch space between the 1" x 1" support and the edge of the post.



SINGLE PROPANE TANK SCREEN

NOT TO SCALE

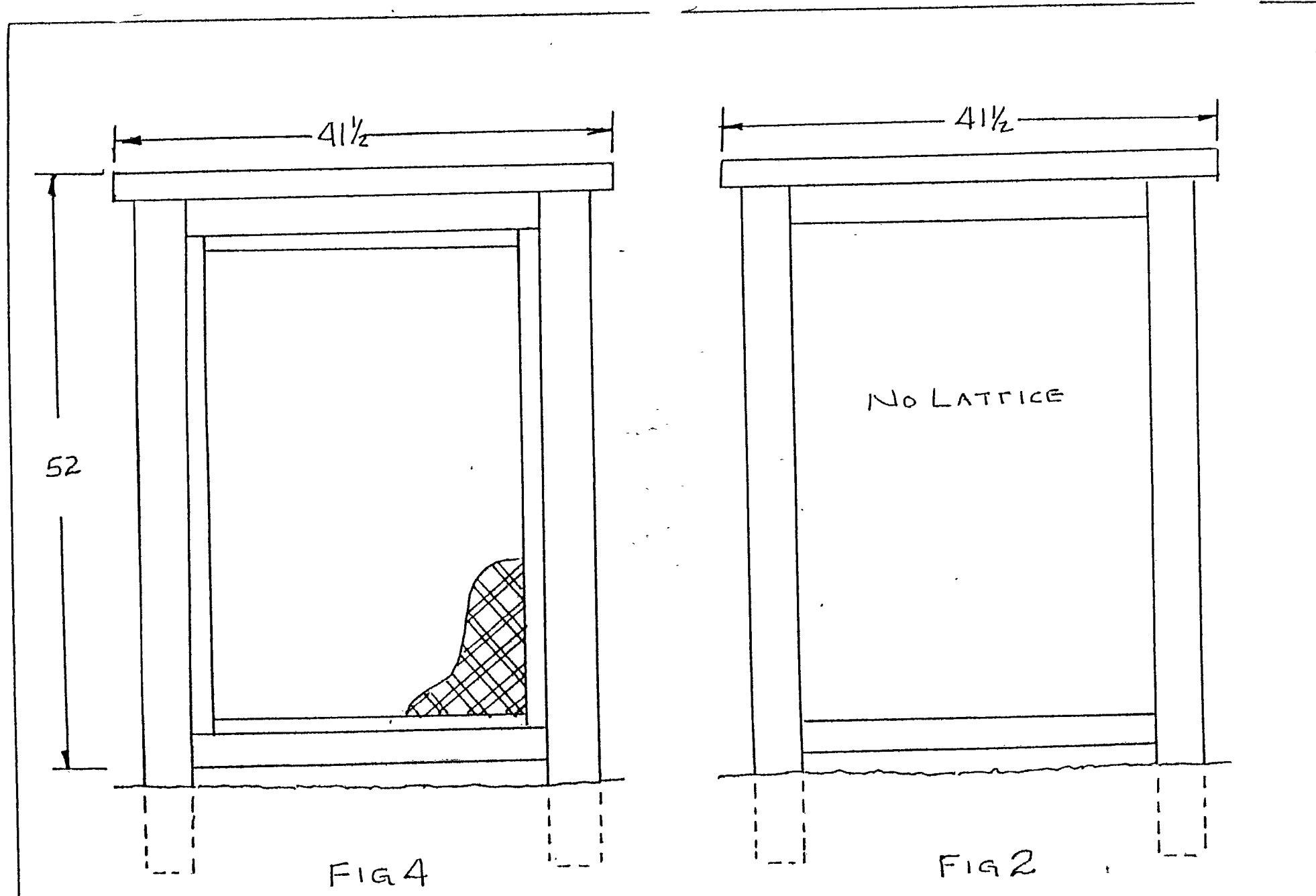


FIG 4

FIG 2

SINGLE PROPANE TANK SCREEN

NOT TO SCALE

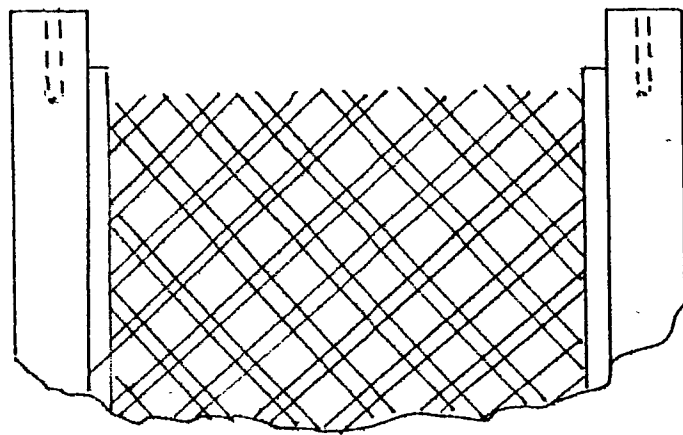
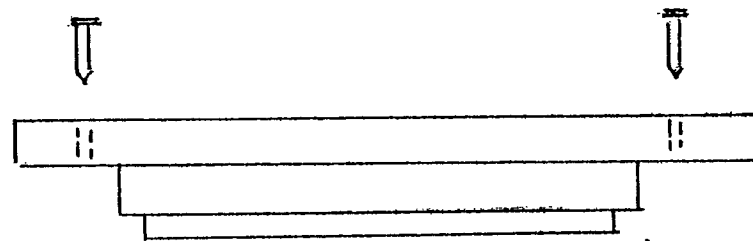


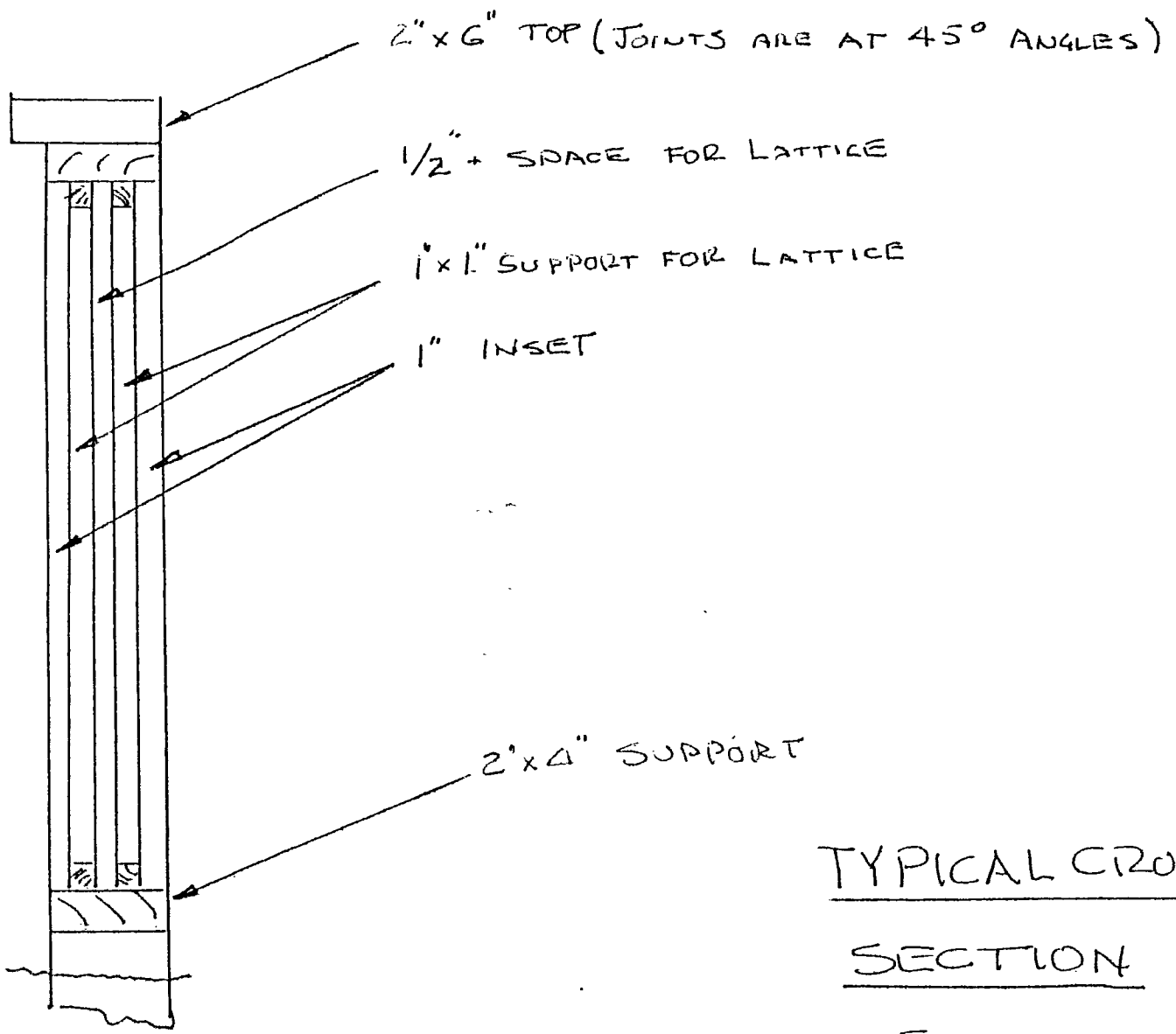
FIG 5

TOP SECTION OF 3 PIECES IS NAILED TOGETHER.

THE 1X1 BOARDS (2) FIT ON OPPOSITE SIDES OF THE LATTICE.

THE TOP SECTION IS HELD IN POSITION BY TWO (2) HOT DIPPED GALVANIZED SPIKES. - LOOSE.

LATTICE MUST MOVE FREELY BETWEEN THE 1X1'S TO ALLOW FOR REMOVAL FOR SERVICING THE PROPANE TANK.



TYPICAL CROSS

SECTION

FIG 6

SINGLE PROPANE TANK SCREEN

NOT TO SCALE